

Keystone Coupler



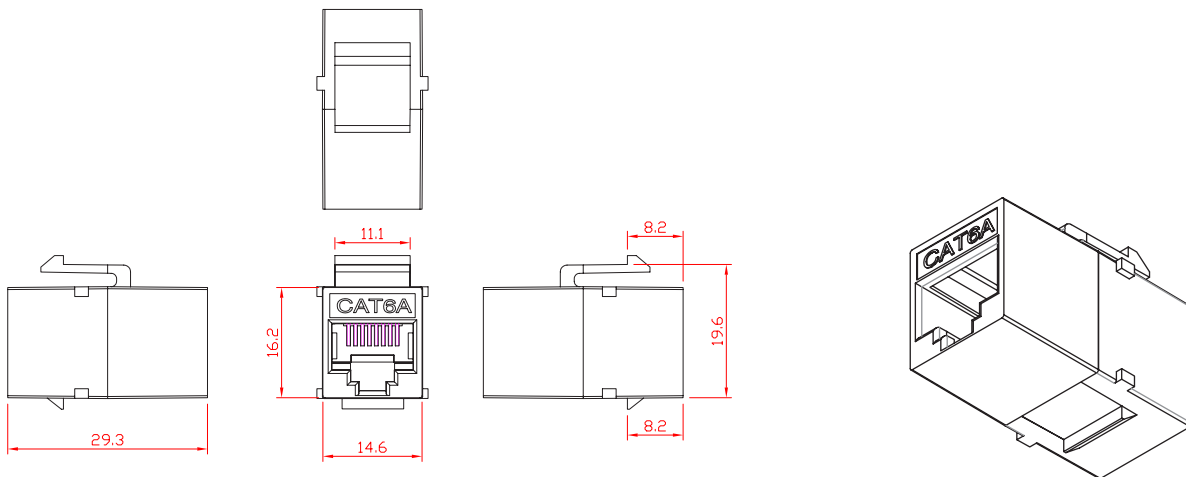
Key Features :

- 2 x RJ45 Jack with gold plated pins.
 - Snap-in mounting for patchpanel, outlet etc.
 - Pin Configuration 1:1
 - Selling unit : polybag 24 pcs
- weight : 7 gr
 - Class E - 500 MHz
 - Unshielded

Order Information

Order code :

LKJUTPC6A C6A UTP (24 pcs) EAN : 5904014200638



Unit: mm

1 - Transmission Performance :

Meet all requirement specified of ISZE/IEC 11801, ClassE ANSI/TIA-568-C.2, Category 6A

2 - Electrical :

Electrical Insulation resistance : 500 min @ 100V DC.

Dielectric withstanding voltage : 1000V DC. or AC. peak contact @ 60HZ for 1 minute

3 - Mechanical :

Insertion/extraction : 750 cycles minimum

4 - Physical :

Housing us high impact, flame retardant plastic UL94V-0

Spring wire phosphor bronze alloy plated with 50 micro-inch of gold.